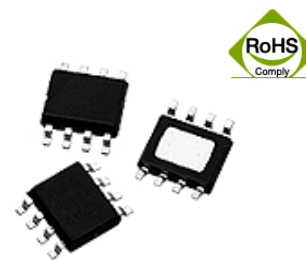


Product Features

- Passive Integration on Silicon
- Low Insertion Loss
- High Isolation
- Solder Pad
- Good Balance
- Low Cost
- Pb Free / RoHS Compliant

Application

- Repeater
- Base Station
- RF Sub-Systems



Package : SOIC-8

Description

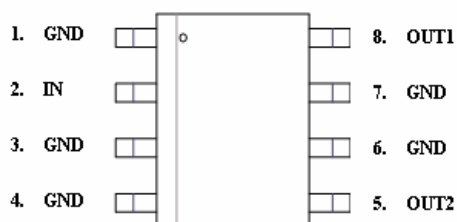
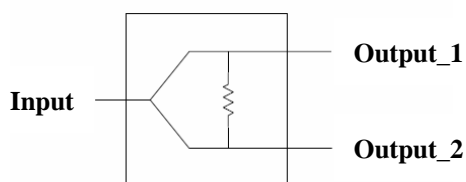
The 2 way power divider is low loss, high isolation, good matching, and phase / amplitude.

The PD09C2 is a monolithic two-way in phase hybrid junction tuned for the 720~960MHz band.

Specifications at 25 °C

PARAMETER	Units	Min	Typ	Max
Frequency Range	MHz	720		960
Insertion Loss	dB		0.3	0.5
Input Return Loss	dB	15	35	
Output Return Loss	dB	25	35	
Isolation	dB	15	27	
Phase difference	Deg.		1	3
Amplitude difference	dB		0.1	0.3
Remarks	MHz	900		

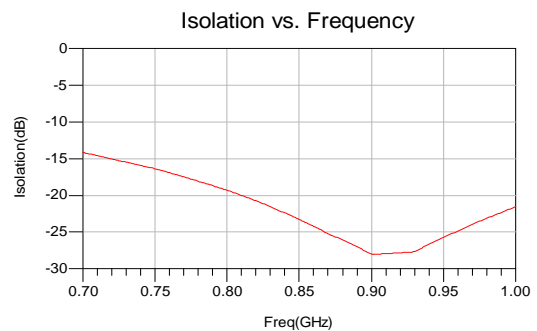
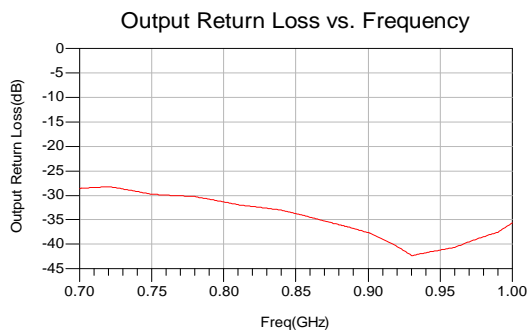
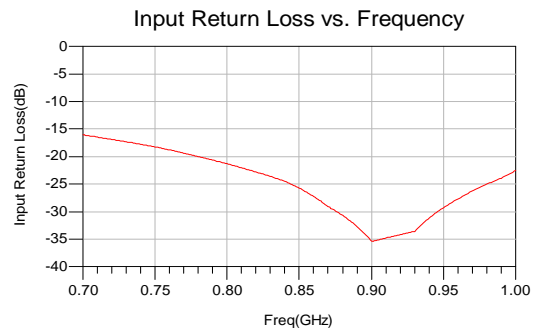
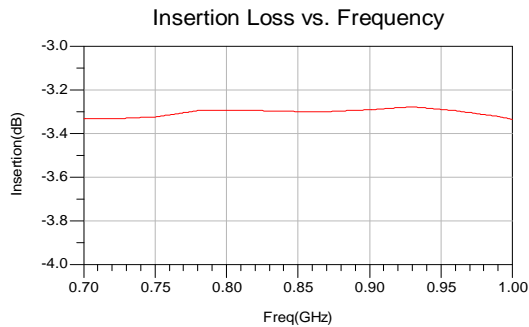
Block Diagram & Pin Out



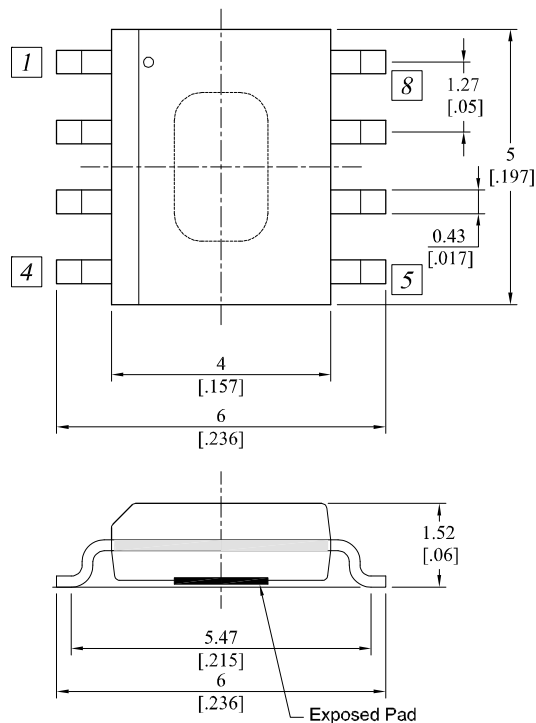
Absolute Maximum Ratings

Parameter	Value
Input Power	2 W
Operating Temperature	-40 ~ +85 °C
Storage Temperature	-65 ~ + 150 °C

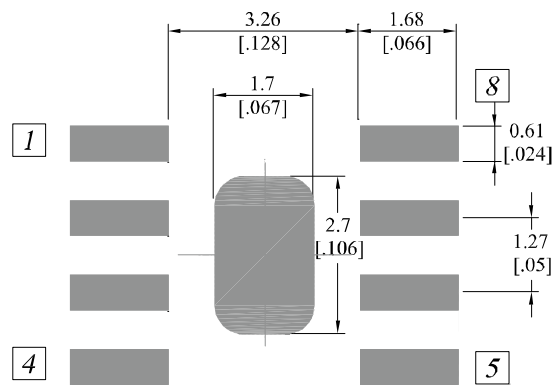
Typical Performance Data at 25°C (SOIC-8 Package)



Package Dimensions (Type: SOIC-8)



Recommended Pattern



Unit : $\frac{\text{mm}}{\text{inch}}$	Tolerance : $\pm \frac{0.2}{.008}$
--	------------------------------------

RFHIC Corporation (RFHIC) reserves the right to make changes to any products herein or to discontinue any product at any time without notice. RFHIC do not assume any liability for the suitability of its products for any particular purpose, and disclaims any and all liability, including without limitation consequential or incidental damages. The product specifications herein expressed have been carefully checked and are assumed to be reliable. However, RFHIC disclaims liability for inaccuracies and strongly recommends buyers to verify that the information they are using is current before placing purchase orders. RFHIC products are not intended for use in life support equipment or application where malfunction of the product can be expected to result in personal injury or death. Buyer uses or sells such products for any such unintended or unauthorized application, buyer shall indemnify, protect and hold RFHIC and its directors, officers, stockholders, employees, representatives and distributors harmless against any and all claims arising out of such use. RFHIC's liability under or arising out of damages, claims of whatsoever kind and nature which RFHIC products could cause shall be limited in amount to the net purchase price of the products sold to buyer by RFHIC.